

KIDS Menu

GARLIC BREAD
£3.00

CHEESY GARLIC BREAD
£3.50

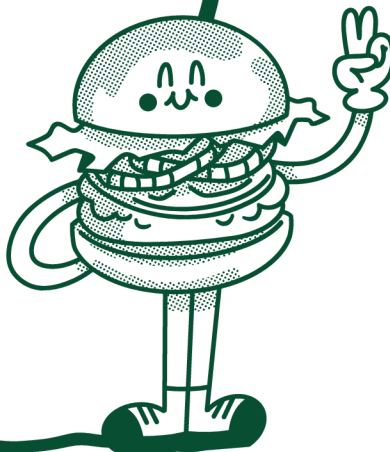
SOUP OF THE DAY
£4.50

CHICKEN GOUJONS
skinny fries
£7.50

FISH & CHIPS
£7.50

MACARONI WITH CHEESE
OR TOMATO SAUCE
£6

CHEESEBURGER
skinny fries
£7.50



2 SCOOPS OF ICE CREAM
vanilla - strawberry - chocolate
£3

STICKY TOFFEE SUNDAE
£4

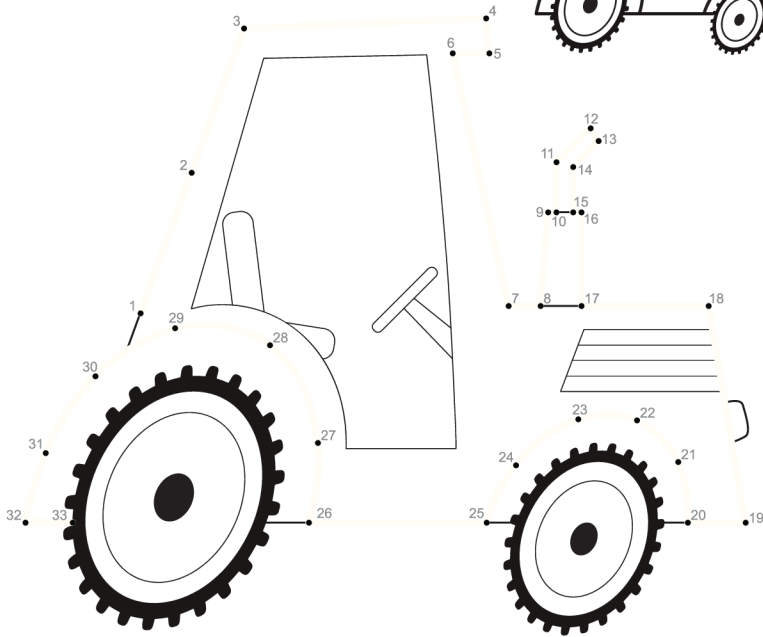
MINI DOUGHNUT BITES
chocolate sauce
£4

Colour in The Winton

Due to the nature of our cooking and size of our kitchen we cannot guarantee that any menu item is 100% free from allergenic substances. Please make sure your server is aware of any allergies when ordering so that we can give you a copy of our allergen information.
This highlights the 14 main allergens in each of our dishes which will help you make an informed choice when selecting your meal.



Dot-to-Dot



Wordsearch

E	L	E	P	H	A	N	T	P
S	G	M	E	K	O	A	L	A
L	I	O	N	N	C	L	A	N
B	R	N	F	U	D	H	N	D
E	A	K	O	R	W	O	T	A
A	F	E	M	U	I	A	G	E
R	F	Y	C	H	E	R	D	Y
Z	E	B	R	A	D	E	E	R
P	I	N	T	I	G	E	R	W

- | | | | |
|----------|--------|-------|---------|
| dog | monkey | emu | deer |
| tiger | lion | zebra | koala |
| elephant | panda | bear | giraffe |

Colour in Basil & Alby

